



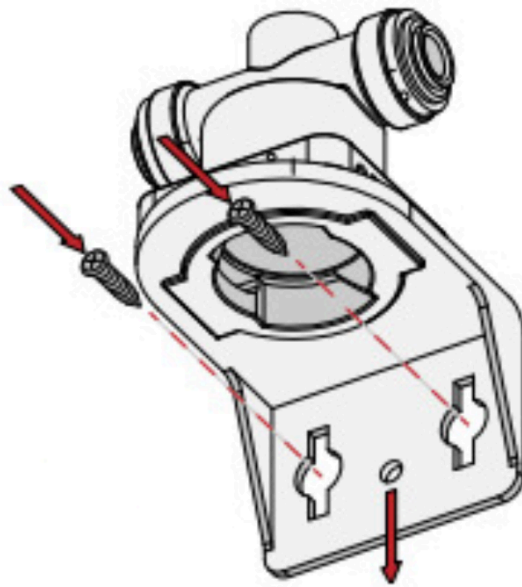
**fohen**

How to install the  
Carbon Phosphate Filter  
in 4 steps.

## What is included:

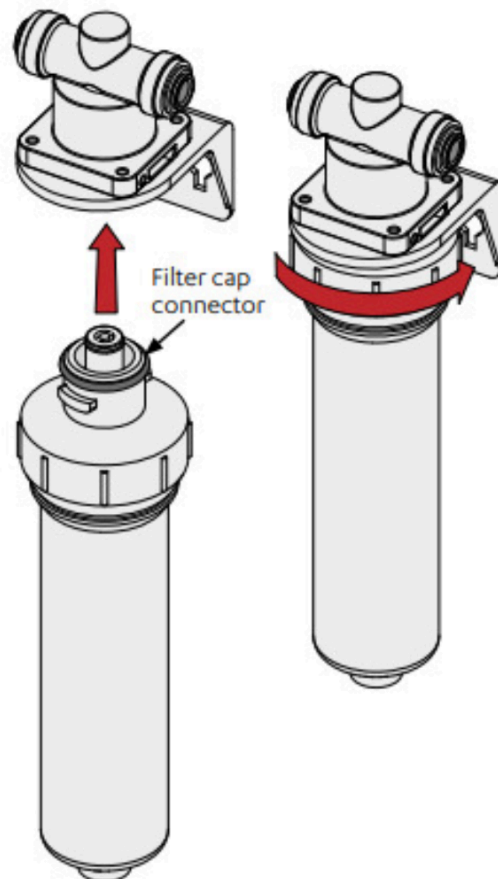
- Filter head
- Filter body
- 2 blue pipes & connections

### Step 1: Installing the filter head.



- Identify an area suitable for installation.
- Mount the filter head vertically to a wall, cupboard, back or side.
- Fix the filter head to the chosen area using the fixings provided. *(Make sure the filter head is **sufficiently robust** enough to **support the weight of the filter**. This needs to be able to withstand forces applied at the filter installation and removal.)*

## Step 2: Installing the filter.

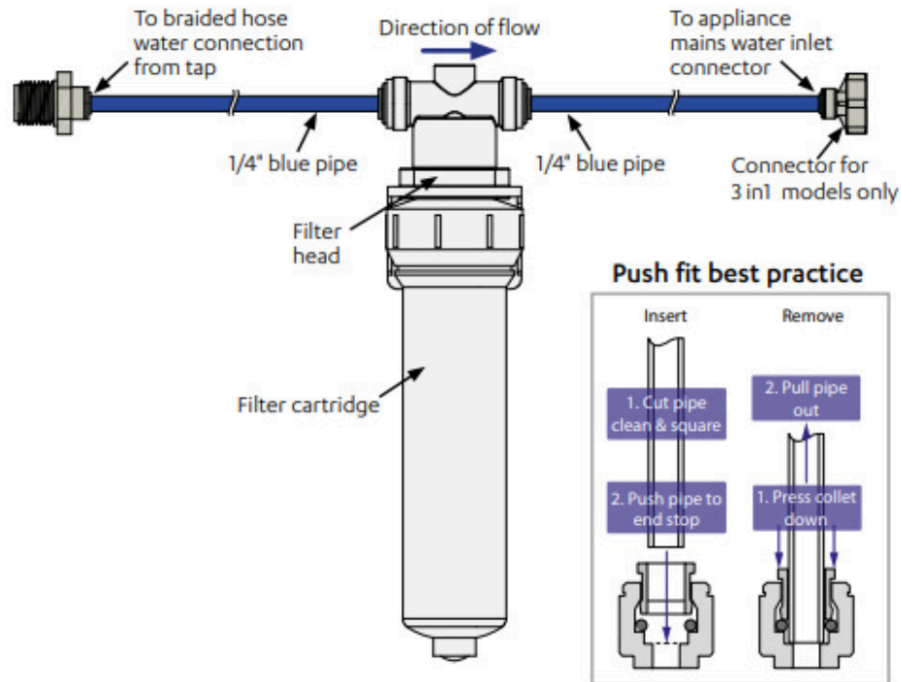


- Rinse the filter cap connector with clean water. *(This will help in lubricating the O ring.)*
- Twist the filter **anticlockwise** at the same time as pushing the filter up into the filter head until it stops.

## Step 3: Connecting the system together.

Ensure the mains water supply is **protected by an isolation valve**.

Ensure that the **mains water and electricity supplies are turned off**.



- Connect the 1/4" blue pipes to the filter head inlet and outlet connections.
- Measure the length of the pipe to reach each appliance and the water inlet connections and cut pipes to length.
- Follow the diagram above, ensuring that the water flows in from the **LEFT** and **out from** the **RIGHT**.
- Secure the pipes with **NO** kinks, sags or coils, so as not to present a hazard or stress to the connections.

## **Step 4: Flush the filter.**

### **Turn on the mains water supply.**

- Check for leaks and turn on the mains electricity supply.
- Flush for **60 seconds**.
- Turn the tap off for **30 seconds**.
- Turn on the tap and dispense the water for **60 seconds**.
- The system is ready to use.